

Fully powered Logiflex - makes work go smoothly

High flexibility and efficiency - the fully powered Logiflex can transport, handle and lift different goods.

The design puts focus on the safety and ergonomic working conditions of the user - Logiflex can be adjusted to the individual user, and the ergonomic correct handle ensures the user a relaxed hold.

No damage to surroundings, pallets and goods. Logiflex has an elegant design with rounded corners.

High quality is ensured through an extended test programme and in cooperation with experts in Health and Safety.



Technical Specifications

The fully powered Logiflex has optimum driving qualities and manoeuvrability even in the most confined areas.

Full electronic controller ensures

- infinitely variable speed control
- soft acceleration
- long operating time per charge

Strong construction ensures a long operating life and low maintenance costs.



Possible to operate with the handle upright. Central location of all control buttons.



Adjustable forks are available as optional extra in many different lengths and types.



Available with side-tilting forks and/or optional extras, e.g. crane arm, drum turner, remote control, level control, built-in charger.

Product (measured in mm)	SELF	SELF	SELF	SELF	SELF	SELF	SELF	SELF	SELF	SELF	
Capacity in kg	1000/1200	1000/1200	1000/1200	1000/1200	1000	1000	1000*	1000	1000*	1000*	
Lifting height with wrap-over forks h_3	920	1200	1400	1600	1910	2050	2450	2450	2850	3300	
Fork length l	600**, 800**, 1150, 1520***										
Overall height h_1	1330	1530	1730	1930	2240	1530	1730	1730	1930	2240	
Overall width b_1	635							890			
Fork span b_5	480****, 560, 680				560, 680						
Length without forks l_2	545										
Overall length with 1150 forks l_1	1755					1765					
Overall height h_4	Without telescopic mast					2490	2890	2890	3290	3740	
Lowered height, forks h_{13}	90										
Load centre c	$l/2$										
Fork width e	163										
Run-in length l_x	1100 with 1150 forks										
Gangway (w/pallet: 1200 x 800) A_{st}	2200 - tests show that 1700 mm are enough										
Free lift h_2								190			
Turning angle of the wheels	210°										
Motor	1,2 kW 24 V speed control electronically variable										
Driving speed with/without load	Below 500 mm lift: 5/6 km/h, over 500 mm lift: 3/4 km/h										
Pump motor	1,2 kW 24 V										
Lifting speed with/without load	Cap. 1000 kg: 0,07/0,12 m/s, cap. 1200 kg: 0,04/0,07 m/s										
Lowering speed with/without load	0,12/0,07 m/s					0,12/0,08 m/s					
Weight in kg (no battery): Cap. 1000/1200 kg	351	370	376	380	388	431	438	445	454	468	

* Load reduction at large lifting height.

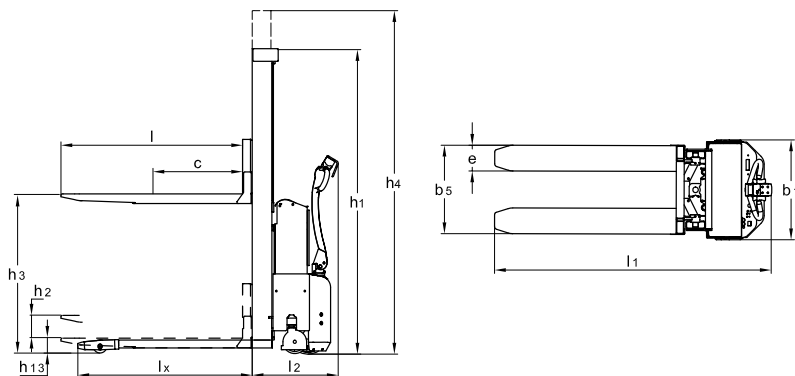
** Maximum lifting height 1600 mm with 600 mm forks, maximum lifting height 2450 mm with 800 mm forks.

*** Reduced capacity 750 kg. Not available for 1200 kg models.

**** Only for 1000 kg models.



Optimum safety through transparent and impact-resistant safety screen and reduced driving speed in raised position.



We also offer tailor-made solutions.

Please ask for further information or visit our website www.logitrans.com.